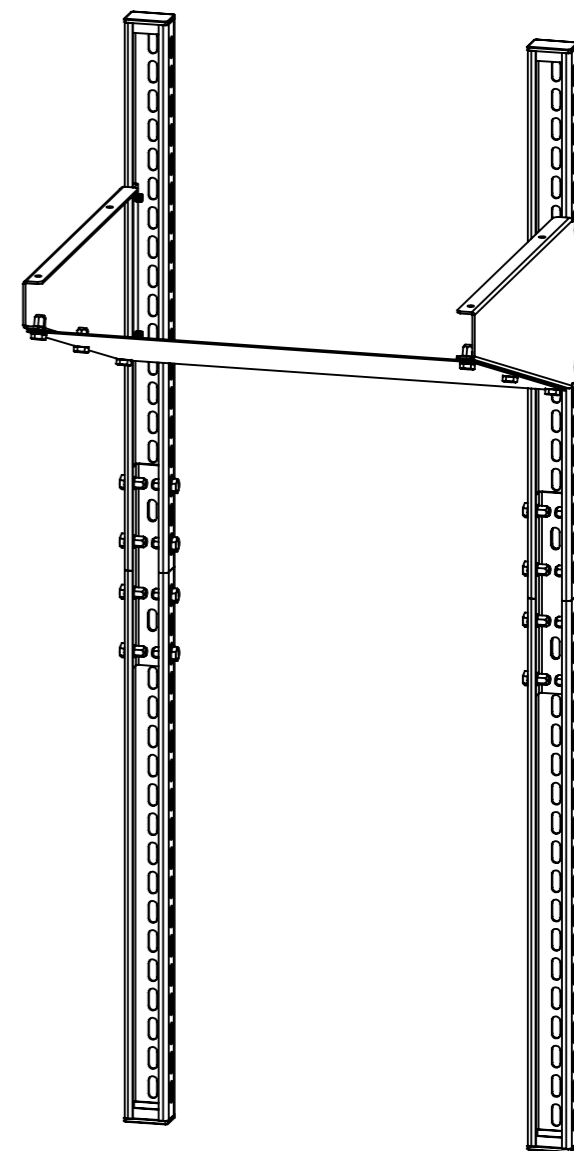
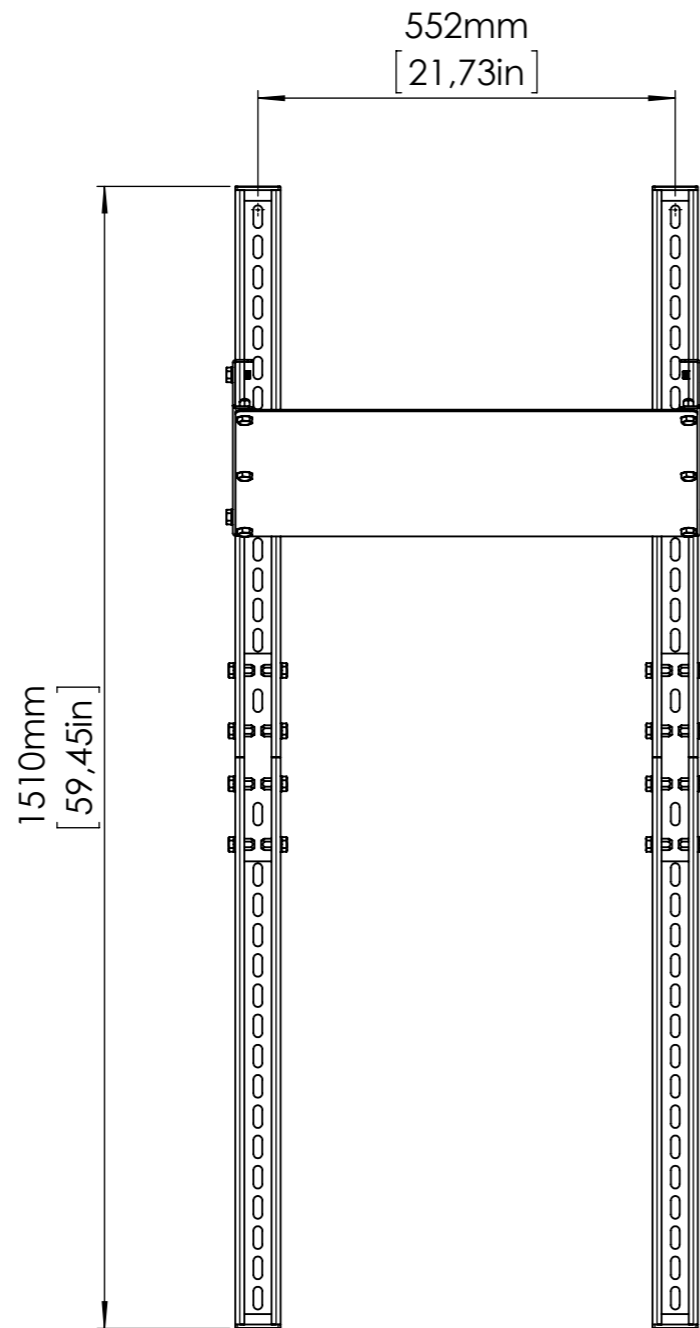
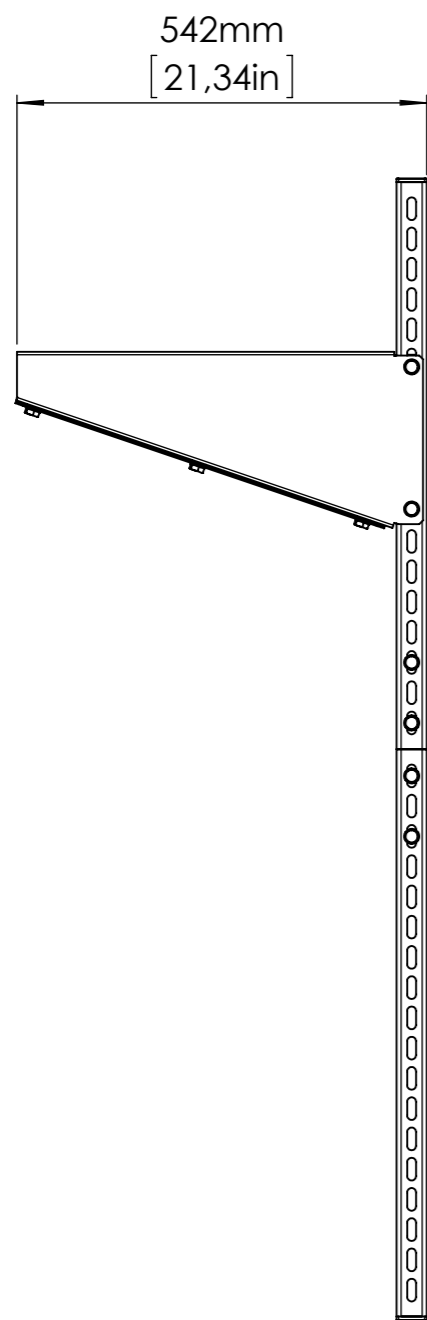


This document is property of 3nine AB and may not without our written permission be copied, imparted to a third party or used for any unauthorized purpose.



1	1	Wall mounting Kit	MR142-384		
Item	Qty	Description	Drawing/material	Dimension	Ref.std./Notes
Surface conditioning			Heat treatment		Scale
General tolerance SS-ISO 2768		General roughness, Ra		Asm.	
Drawn 131107		Sign FE		Denomination	
Check.		Sign		<h1>Wall Mounting Kit</h1> <h2>Anna</h2>	
3nine		Article nr.		250-015	Drawing nr. 250-015 Sheet 1 of 1 Mod.

A B C D E F G H

6
5
4
3
2
1