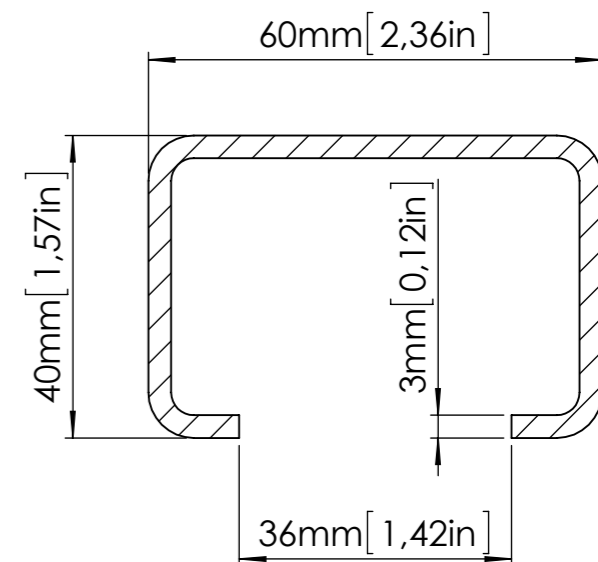
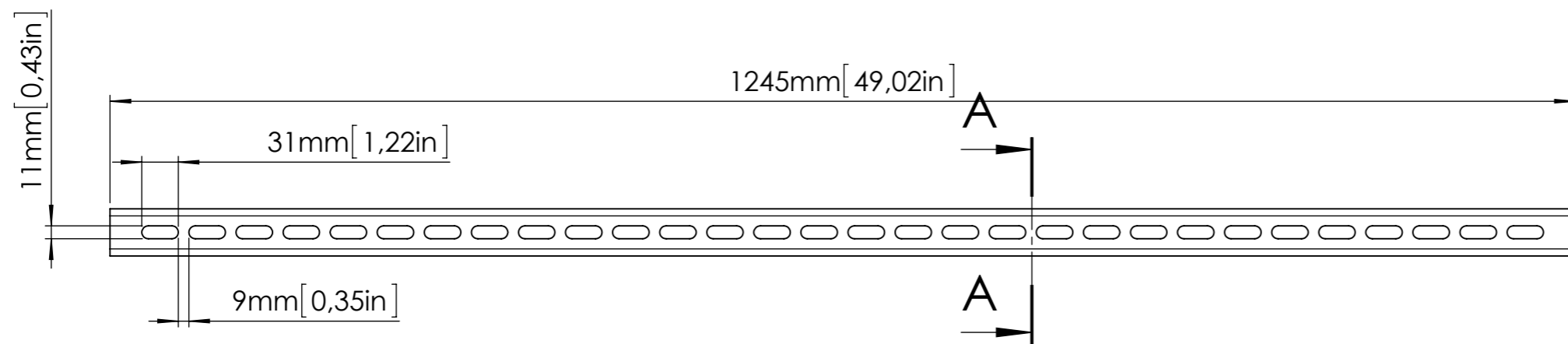
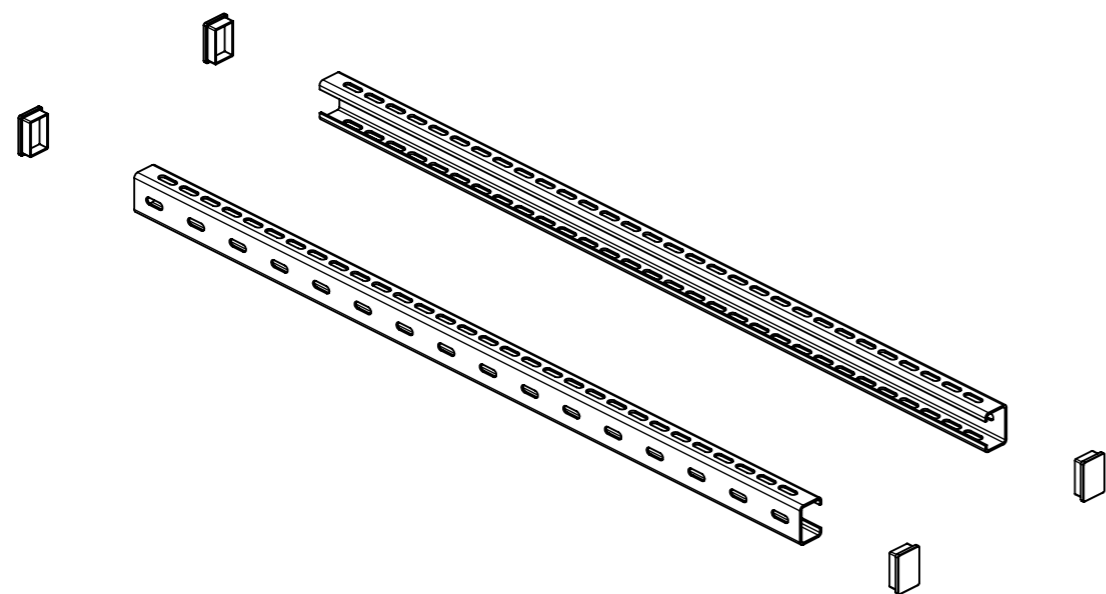


This document is property of 3nine AB and may not without our written permission be copied, imparted to a third party or used for any unauthorized purpose.



A-A (1 : 1)



Surface conditioning	Heat treatment			Scale
General tolerance SS-ISO 2768	General roughness, Ra	Asm.		1:5
Drawn 060203 Sign JSg	Denomination			
Check. Sign	<h2>C-Profiles 1,25 m</h2> <h3>Dimension drawing</h3>			
	Article nr.	CLR1000-281	Drawing nr.	Sheet 1 of 1 Mod.
			DD CLR1000-281	

A | B | C | D | E | F | G | H